



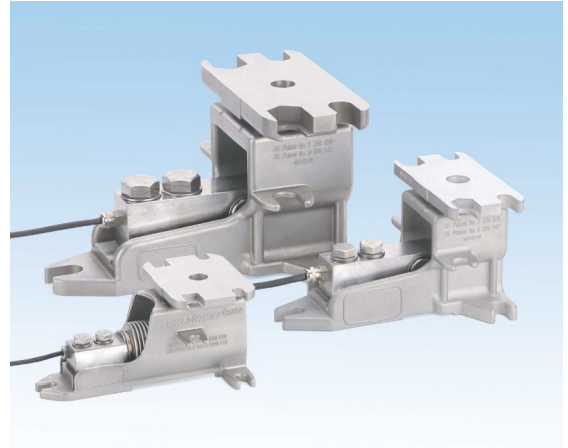
PENKO Engineering BV

The Leading Experts In Weighing & Dosing

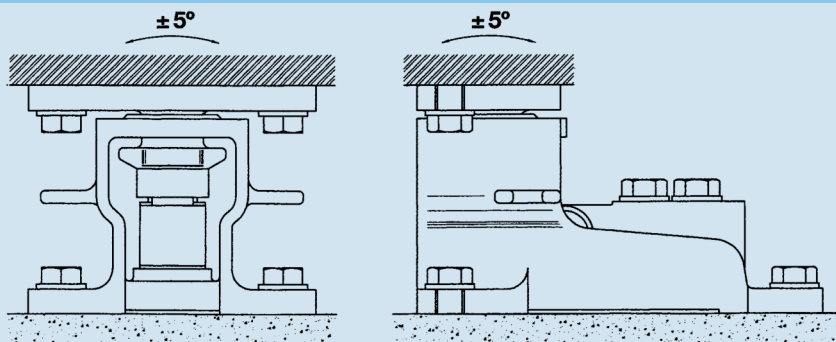
10kg-5000kg

LeverMount

Purpose designed stainless load cell and mount arrangement	LeverMount® can be raised and lowered under load without jacking
Load cell removal without jacking or dummies	Straightforward, low cost installation without specialist tooling
High stability three point mounting	Substantial lift off prevention
Easily configurable for radial or tangential mounting	Tolerant of steel work misalignment
Allows for vessel expansion and contraction	Stainless steel OIML C3 approved load cell, fully welded, sealed to IP68

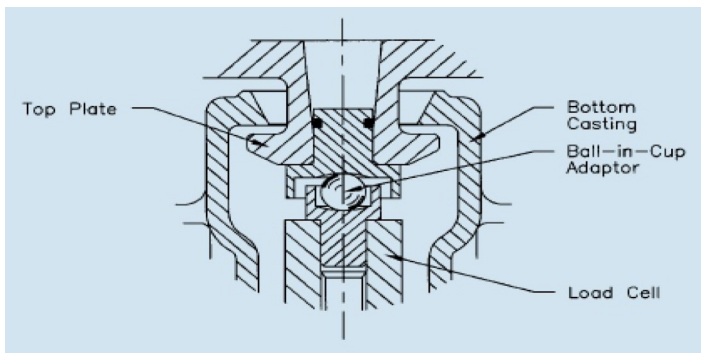
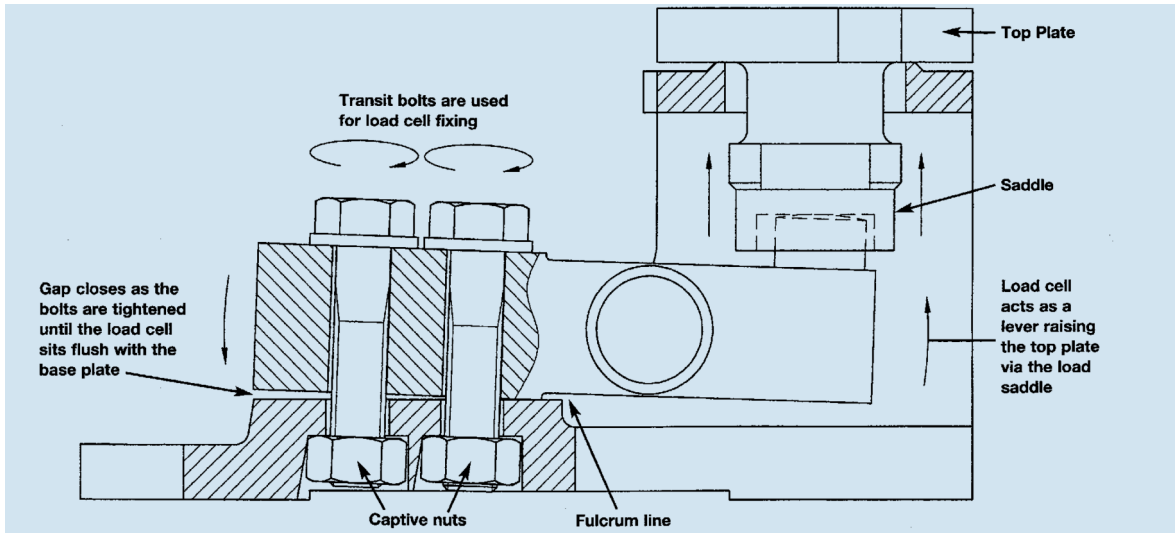


FEATURES	BENEFITS
<ul style="list-style-type: none"> • Purpose designed cast steel mount and stainless steel load cell 	<ul style="list-style-type: none"> • Ideal for process weighing applications that require an accurate, safe and cost effective solution
<ul style="list-style-type: none"> • Simple two part casting using the transit bolts with captivated nuts for load cell fixing 	<ul style="list-style-type: none"> • Aesthetically pleasing design, eliminating the need for additional machining and special bolts
<ul style="list-style-type: none"> • Stainless steel, IP68, fully welded, single ended shear beam load cell 	<ul style="list-style-type: none"> • Suitable for use in the harshest of industrial environments
<ul style="list-style-type: none"> • Load cell acts as the lever to raise and lower the top plate and vessel 	<ul style="list-style-type: none"> • No need for alternative lifting devices such as pad jacks
<ul style="list-style-type: none"> • Vessel can be raised and lowered under load 	<ul style="list-style-type: none"> • Easier, quicker and safer than alternative mount arrangements
<ul style="list-style-type: none"> • No jacking screws or support pillars 	<ul style="list-style-type: none"> • No stripped threads or top plate interference
<ul style="list-style-type: none"> • Three point support and fixing 	<ul style="list-style-type: none"> • Eliminates rocking and twisting in the mount, always finds a plane
<ul style="list-style-type: none"> • Top plate movement in the lateral and rotational axis 	<ul style="list-style-type: none"> • Tolerant of steel work misalignment avoiding any mechanically induced errors
<ul style="list-style-type: none"> • Configurable for radial, tangential or offset mounting 	<ul style="list-style-type: none"> • Easy alignment to the radial axis of the vessel to compensate for expansion and contraction.
<ul style="list-style-type: none"> • Substantial anti-lift facility, over 50% of maximum rated load 	<ul style="list-style-type: none"> • Increased safety
<ul style="list-style-type: none"> • Minimal difference between the working height and the installed height 	<ul style="list-style-type: none"> • Reduces the need to adjust for pipe work without flexible connections
<ul style="list-style-type: none"> • Load cell can be easily removed under load in situ 	<ul style="list-style-type: none"> • Less down time
<ul style="list-style-type: none"> • Three physical sizes cover the range from 10kg to 5000kg 	<ul style="list-style-type: none"> • Covers the majority of process weighing applications



LeverMount: 10kg-5000kg

Technical Data

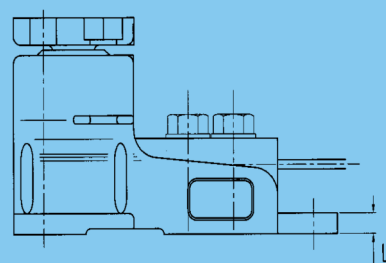
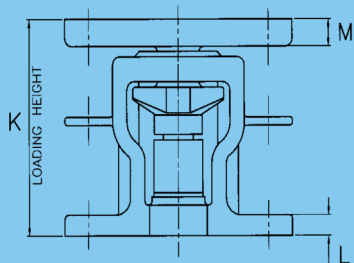
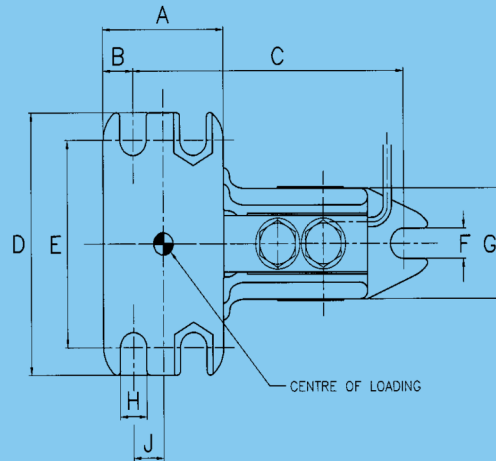


Shipping Weights: (kg)

10, 20, 50, 100, 150, 200 = 1.2kg
 300, 500, 1000, 2000 = 4 kg
 3000, 5000 = 9 kg.

Construction

Mount manufactured from cast 316 stainless steel.
 Load cell manufactured from high strength 17-4PH stainless steel, electro-polished, fully welded and sealed to IP68.



Capacity (kg)	A	B	C	D	E	F	G	H	J	K	L	M
20, 50, 100 & 200	70	16	147	100	80	9	55	9	19	80	7	8
300, 500, 1000, 2000	70	16	168	132	108	14	60	14	19	110	12	12
3000, 5000	100	25	225	190	150	22	80	22	25	164	15	20

