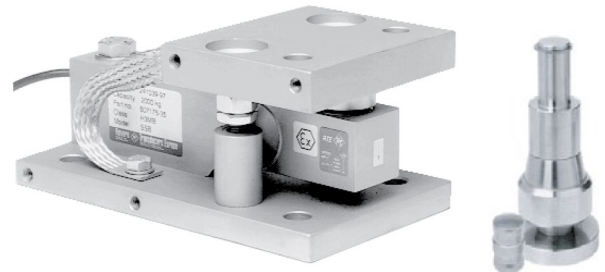


FEATURES

- Capacities: 500–5000 kg
- Hardened components at all bearing surfaces
- Rocker pin load introduction
- Stainless steel or nickel plated steel versions available
- Built-in horizontal movement control and lift-off protection
- Load cell (re)placement after installation of the mount
- **Optional**
 - Stay rod assembly
 - Suitable also for SBC load cells

APPLICATIONS

- Process control
- Batch weighing
- Silo/hopper weighing
- Belt scale weighing



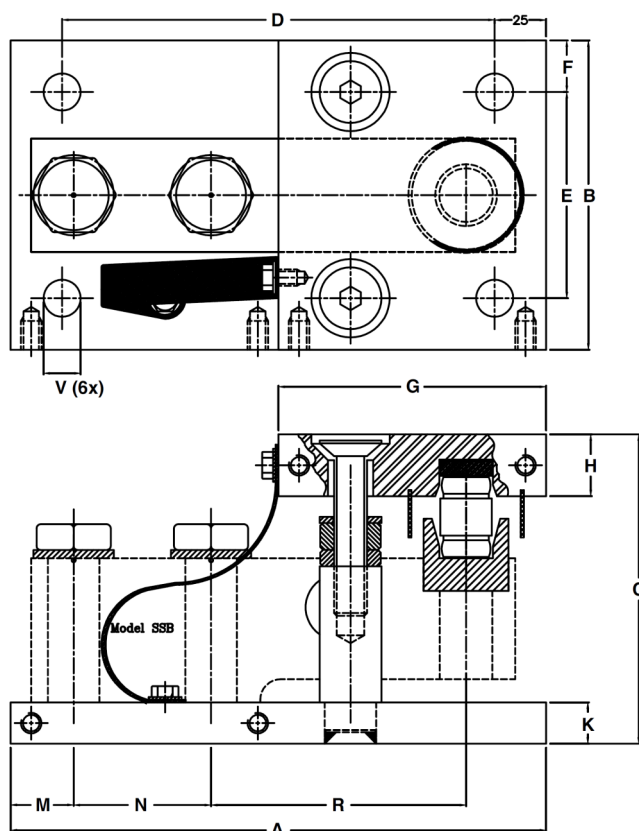
DESCRIPTION

The SSB self aligning silo mount, combined with the SSB load cell family, provides weighing assemblies suitable for process control, batch weighing, silo/hopper, and belt scale applications.

The SSB foot assembly is an ideal solution for medium capacity belt, pallet and platform scales.

The SSB mount and foot are based on a rocker pin design, combining excellent load introduction to the transducer with an overall low profile. Hardened components are used at all load bearing surfaces. The stainless steel construction guarantees long-term reliability, even in the harshest environments.

OUTLINE DIMENSIONS in mm



| CAPACITY | 0.5–2T | 5T |
|----------|--------|-------|
| A | 210 | 250 |
| B | 120 | 150 |
| C | 95 | 135 |
| D | 160 | 200 |
| E | 80 | 100 |
| F | 20 | 25 |
| G | 100 | 120 |
| H | 20 | 20 |
| K | 15 | 20 |
| M | 21.9 | 30.6 |
| N | 63.5 | 66.7 |
| R | 98.4 | 123.8 |
| V | Ø14 | Ø18 |

ACCESSORIES

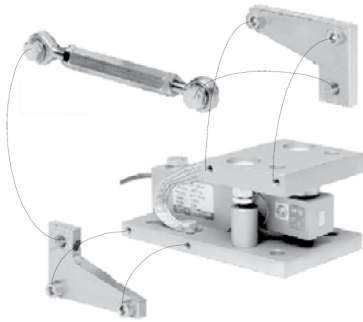
Self-Aligning Mount

The SSB mount permits controlled horizontal movement in all directions. The design allows the load cell to be (re)placed after installation of the mount. The critical load introduction area is mechanically protected.



Stay Rod Assembly

If major load movement is anticipated stay rods should be used to restrain a platform or vessel. The SSB stay rod assembly can be bolted to the mount prior to, or after its installation.



Non-Adjustable Foot

The non-adjustable foot carries the same specification and features as the height adjustable version, while providing an even lower overall profile.



Height Adjustable Foot

The stainless steel foot, which has 5 mm of height adjustment, provides excellent load introduction to the load cell. The foot allows flexibility in platform design without compromising overall system performance.



| ADDITIONAL INFORMATION | | |
|-----------------------------------|-----------------|-----------|
| MOUNT | 0.5/2T | 5T |
| Self-aligning mount | | |
| Assembly + SSB (mm) | 95 | 135 |
| Assembly guideline | AG 10/06-108/2 | |
| Outline drawing – stainless steel | 499046-10 | 499047-10 |
| Outline drawing – nickel-plated | 499046-00 | 499047-00 |
| Stay rod assembly | | |
| Outline drawing – stainless steel | 499063-10 | 499064-10 |
| Outline drawing – nickel-plated | 499063-00 | 499064-00 |
| Assembly guideline | AG 09/06-201/02 | |
| Height Adjustable Foot | | |
| Assembly + CSP-M | 80+5 | 141+7 |
| Assembly guideline | AG 12/06-102/02 | |
| Outline drawing – stainless steel | 499079 | 499080 |
| Non-Adjustable Foot | | |
| Assembly + CSP-M | 75 | 117 |
| Outline drawing – stainless steel | 499077 | 499078 |