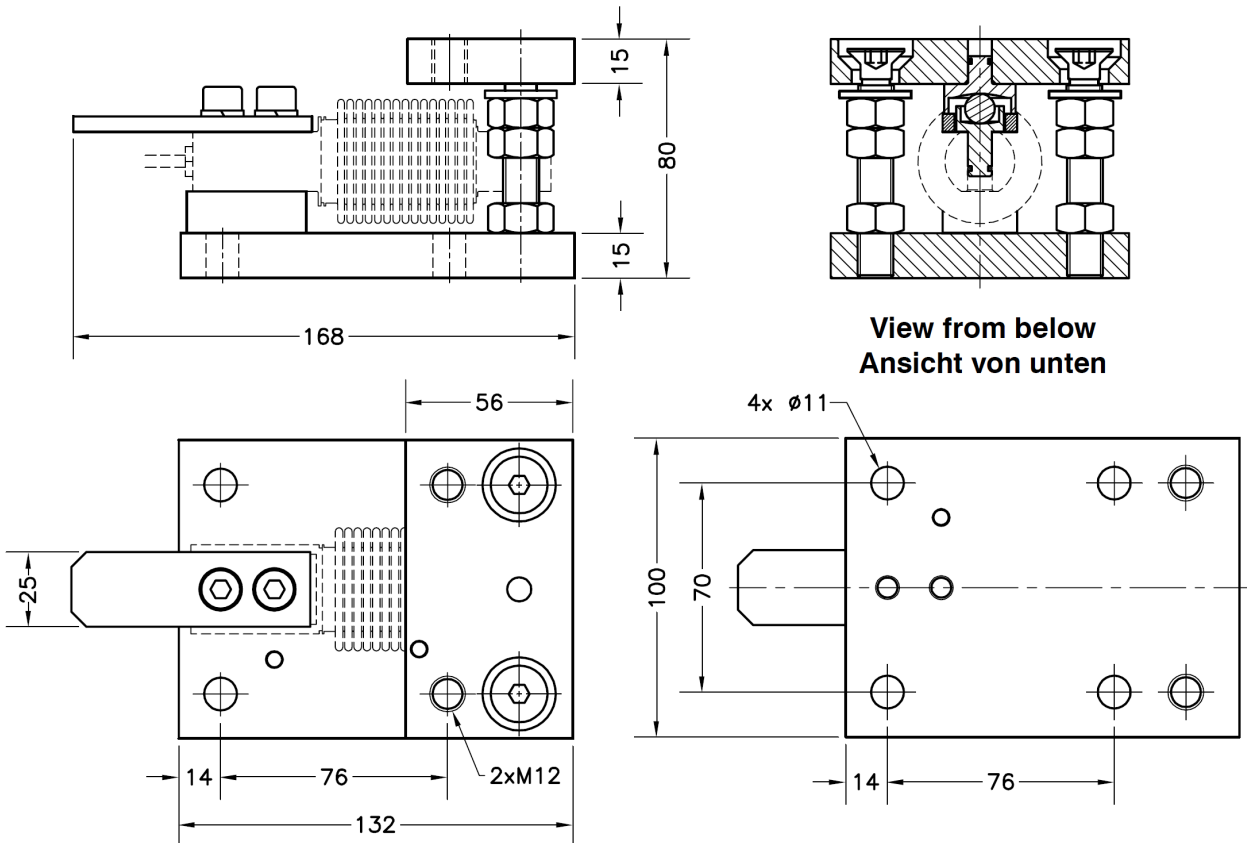


30907-i

MOUNTING-KIT LIFT-OFF PREVENTION FOR MOD. 300
LASTECKE MIT ABHEBESICHERUNG FÜR MOD. 300

- **Material:**
Alloy Steel zinc-plated Acc. 30907
Stainless Steel Acc. 30907i

- **Material:**
Verzinkter Stahl Zub. 30907
Edelstahl Zub. 30907i



	Alloy Steel zinc-plated / <i>Verzinkter Stahl</i>	Stainless Steel / <i>Edelstahl</i>
	30907	30907i
Maximum permissible offset transverse to load cell <i>Max. Verschiebung in Querrichtung</i>	±2.5 mm	±2.5 mm
Maximum lift-off force <i>Max. Zugkraft vertical</i>	40.46 kN	40.46 kN
Maximum force horizontal to load cell <i>Max. Kraft in horizontale Richtung</i>	2.53 kN	1.58 kN

Dimensions in mm. *Abmessungen in mm.*

Transport weight - *Transportgewicht:* 2.5 kg