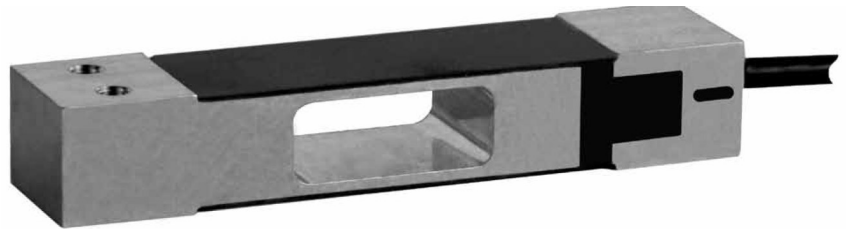




PENKO Engineering BV

The Leading Experts In Weighing & Dosing

5kg-40kg **PC22**



Product Description

The type PC22 is an aluminium single point load cell with an improved potting.

Application

- Retail scales and bench scales

Key Features

- Capacities from 5 kg to 40 kg
- Aluminium construction
- Environmental Protection IP67
- Low profile design
- Maximum platform size up to 350 x 350 mm

Approvals

- OIML approval to C3 (Y = 6 000)
- ATEX hazardous area approval for Zone 0, 1, 2, 20, 21 and 22
- FM hazardous area approval

Option

- Y = 12 000 for C3

Packed Weight

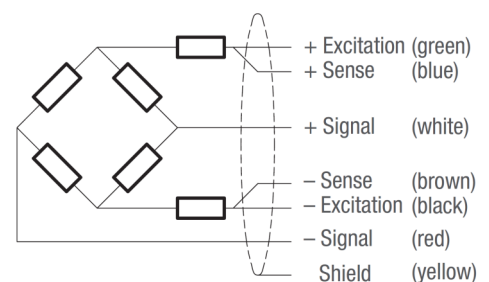
- 0.35 kg

Available Accessories

- Compatible range of electronics

Wiring

- The load cell is provided with a shielded, 6 conductor cable (AWG 26). Cable jacket polyurethane
- Cable length: 2 m
- Cable diameter: 5 mm
- The shield is connected to the load cell body



Load cell PC22: 5kg-40kg

Technical Data

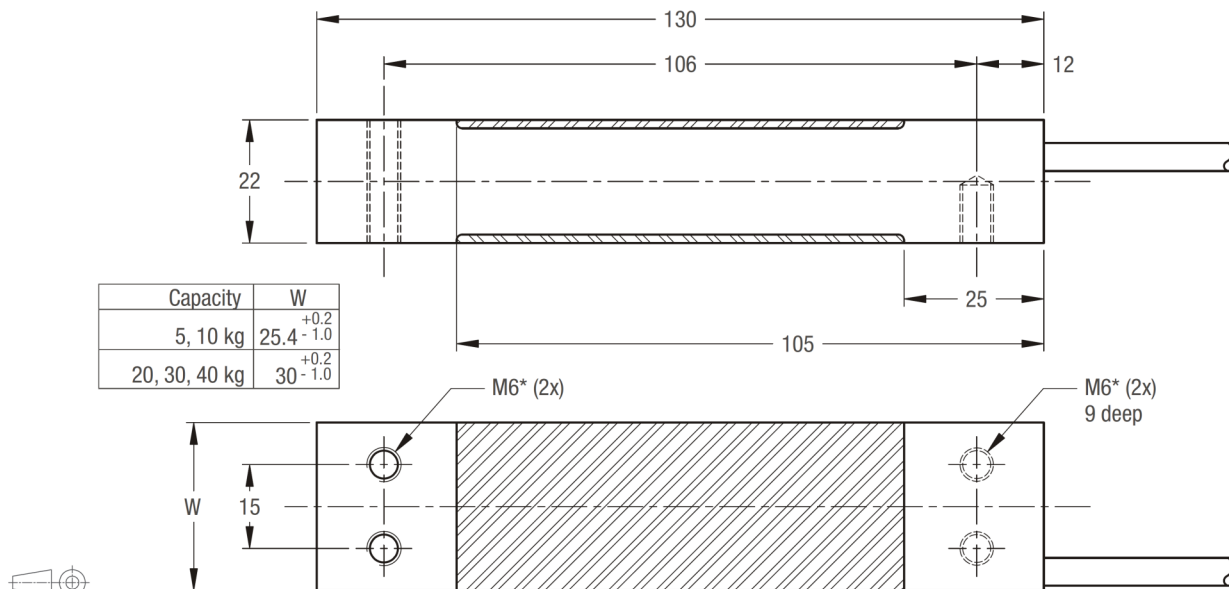
Specifications

		(E _{max})	kg	5 / 10 / 20 / 30 / 40	
Maximum capacity				(GP)	C3
Accuracy class according to OIML R60				n.a.	3 000
Maximum number of verification intervals		(n _{LC})		n.a.	E _{max} /6 000
Minimum load cell verification interval		(v _{min})		n.a.	E _{max} /6 000
Temperature effect on minimum dead load output		(TC ₀)	%*RO/10°C	± 0.0400	± 0.0233
Temperature effect on sensitivity		(TC _{RO})	%*RO/10°C	± 0.0200	± 0.0100
Combined error			%*RO	± 0.0500	± 0.0200
Non-linearity			%*RO	± 0.0400	± 0.0166
Hysteresis			%*RO	± 0.0400	± 0.0166
Creep error (30 minutes) / DR			%*RO	± 0.0600	± 0.0166
Option	Min. load cell verification interval	(v _{min opt})		n.a.	E _{max} /12 000
	Temp. effect on min. dead load output	(TC _{0 opt})	%*RO/10°C	n.a.	± 0.0117
Rated Output		(RO)	mV/V	2 ± 10%	
Zero balance			%*RO	± 5	
Excitation voltage			V	5...15	
Input resistance		(R _{LC})	Ω	413 ± 20	
Output resistance		(R _{out})	Ω	350 ± 25	
Insulation resistance (100 V DC)			MΩ	≥ 5 000	
Safe load limit		(E _{lim})	%*E _{max}	150	
Ultimate load			%*E _{max}	300	
Safe side load			%*E _{max}	100	
Maximum platform size; loading acc. to OIML R76			mm	350 x 350	
Maximum off centre distance at maximum capacity			mm	115	
Compensated temperature range			°C	-10...+40	
Operating temperature range			°C	-20...+65 (ATEX -20...+60)	
Load cell material				aluminium	
Sealing				potted	
Protection according EN 60 529				IP67	

The limits for Non-Linearity, Hysteresis, and TC_{RO} are typical values.

The sum of Non-linearity, Hysteresis and TC_{RO} meets the requirements according to OIML R60 with p_{LC}=0.7..

Dimensions (in mm)



Mounting bolts M6 8.8; torque 10 Nm. Torque value assumes oiled threads.

* Unified thread 1/4-20 UNC is available.

